

## ZIMX HB1 & HK4 USER MANUAL



V1.0.1

**IMPORTANT:  
KEEP FOR FUTURE REFERENCE**

\*Images used in this manual may vary slightly from the product and are for reference purposes only.



Even if you have ridden a hoverboard for years, it is important for you and every rider to read this manual before using this product.

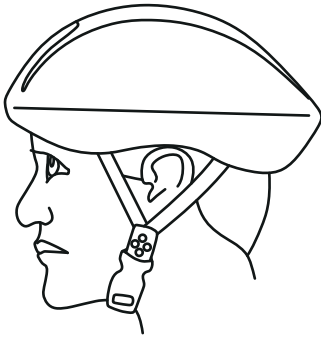


# CONTENTS

Warning.....	2
Operating Principals.....	3
Introduction.....	4
HB1 Hoverboard Seat Attachment.....	5
Assembling HK4 Hoverkart Seat Attachment.....	6-7
Installing Your ZIMX HB1 Hoverboard.....	7-9
Before Riding.....	10
Riding Your HB1 Hoverboard.....	11
Controls And Display.....	11-12
Charging Your HB1 Hoverboard.....	12-13
Calibrate Your Hoverboard.....	14
Safety Precautions and Product Safety.....	15-19
Safety Alerts.....	20
Safety Checklist.....	21
Warranty.....	22
Customer Service Support.....	23
Further Specifications & Info.....	23

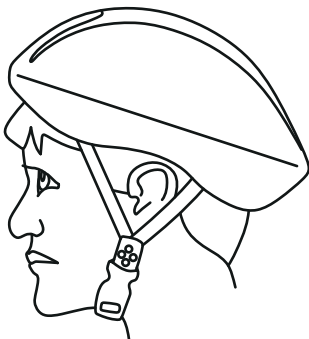
# HELMETS SAVE LIVES!

Always wear a properly fitted helmet that complies with safety standards when you ride your hoverboard.



## **CORRECT FITTING:**

Make sure your helmet covers your forehead.



## **INCORRECT FITTING:**

Forehead is exposed and vulnerable to serious injury.

# **WARNING!**

## **PLEASE READ THE USER MANUAL THOROUGHLY.**

Failure to follow the basic instructions and safety precautions listed in the user manual can lead to damage to your device, other property damage, serious bodily injury, and even death.

Thank you for purchasing the ZIMX HB1 Hoverboard and ZIMX HK4 Hoverkart Bundle. Please read all instructions carefully before using and retain this manual for future use and reference.

## **This manual applies to the ZIMX HB1 Hoverboard.**

- In order to avoid dangers that are caused by collisions, falls, and loss of control, please learn how to ride the HB1 safely.
- You can learn operating skills by reading the product manual and watching online videos.
- This manual includes all operating instructions and precautions, and users must read it carefully and follow the instructions.
- All users are responsible for any consequences caused by violating warning contents or prompt operations.

## **ATTENTION**

1. Use only the supplied charger with this hoverboard.
2. Do not ride on icy or slippery surfaces.
3. Read the user manual and warnings before riding.
4. Store the HB1 and HK4 in a dry, ventilated environment.
5. When transporting the HB1, avoid violent crashes or impact.

# OPERATING PRINCIPALS

The device uses digital electronic gyroscopes and acceleration sensors to control balance and motion, depending on the user's centre of gravity. The device also uses a control system to drive the motors that are located within the wheels. The device has a built-in dynamic stabilization system that can help assist with balance when moving forward and backwards, but not while turning.

**TIP -** To increase your stability, you must shift your weight in order to overcome the centrifugal force during turns, especially when entering a turn at higher speeds.

## WARNING

Any hoverboard that does not work properly can cause you to lose control and fall. Inspect the entire device thoroughly before every ride, and do not ride it until any problems have been corrected.

## SPECIFICATIONS

Model	HB1
Net Bundle Weight (HB1 + HK4)	11.7 kg
User Weight Load	20-100 kg
Max Speed	Up to 8 mph (13 km/h) (For safety, the hoverboard will alarm if the speed exceeds 10 KM/H)
Max Distance Range	Up to 7 miles (11.2 km)
Max Incline Angle	10°
Minimum Turning Radius	0°
Battery Type	Lithium-ion
Battery Voltage	36 V
Battery Capacity	2.0 Ah
Wheel Size	6.5 Inches
Tyre Type	Non-Pneumatic Solid Tyres
IP Rating	IPX4

**Warm Tips:** The above data may vary depending on riding conditions, rider weight, climate, and/or proper maintenance.

# INTRODUCTION

The HB1 hoverboard is classed as a personal transporter. Our technology and production processes are developed with strict testing for each HB1. Riding without following the contents of this manual may lead to damage to your device, or may cause bodily injury.

This manual is designed to give you the information you need for the safe operation and maintenance of your HB1. Please read it thoroughly before riding your HB1.

## PACKAGE CONTENTS

- ZIMX - HB1 Hoverboard
- Charger Adapter
- User Manual
- ZIMX - HK4 Hoverkart Seat Attachment

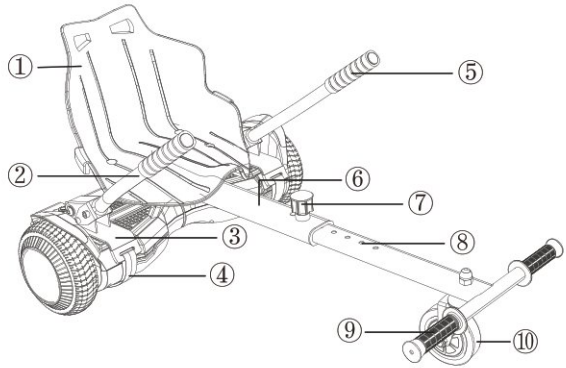


## FEATURES/PARTS

- |  |                                |
|--|--------------------------------|
| 1. Fender / Wheel Arch                 | 6. Underbody Protection Casing |
| 2. Rubber Foot Pad / Mat               | 7. Power Button (On/Off)       |
| 3. Display Status / Battery Indicators | 8. Charging Port               |
| 4. Solid Tyre & Motor (LED Wheels)     |                                |
| 5. LED Path Finder Lights              |                                |

# HK4 HOVERKART SEAT ATTACHMENT

1. Seat
2. Handle Bar (R)
3. Pedal Mounts
4. Adjustable Strap
5. Handle Bar (L)
6. Frame Base
7. Twist Knob
8. Frame Extension
9. Foot Rests
10. Swivel Wheel

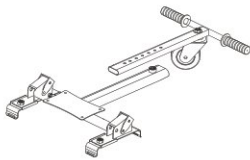


## SPECIFICATIONS

- Compatibility: Most of Self-Balancing Scooters / Hoverboards
- Max Load: See max load of your hoverboard
- Max Speed: See max speed of your hoverboard
- Seat Material: PP

## BOX CONTENT

### CONTENTS



1x Frame (2 parts)



1x Adjustment knob



2x Velcro Straps



2x Handles



1x Kart seat



A.4x



B.4x



C.4x



2x



1x



4x



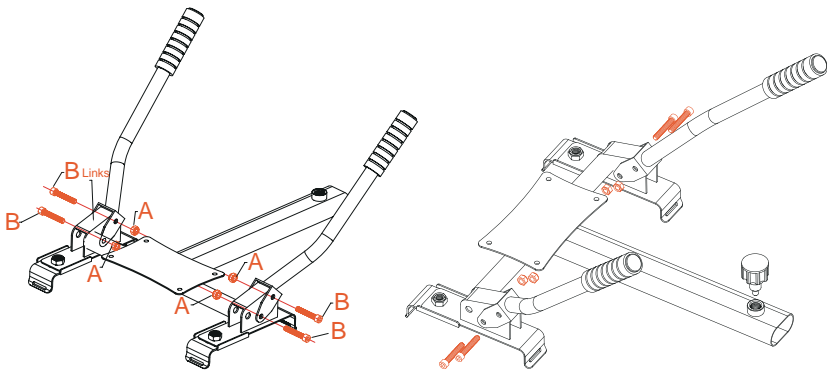
# ASSEMBLING HK4 HOVERKART SEAT ATTACHMENT

If you have questions or concerns about any of these steps, please feel free to contact our Customer Service Team at [info@zimx.uk](mailto:info@zimx.uk). A representative will be in touch to guide you through these steps.

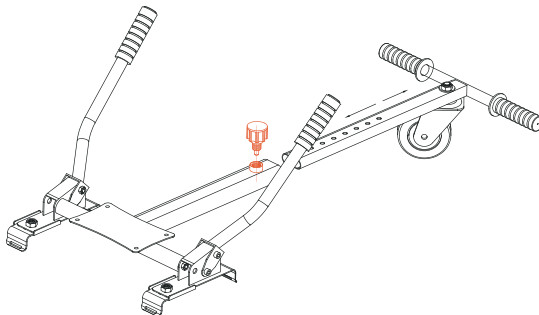
Carefully follow the steps shown on the following pages for assembling the Hoverkart Seat Attachment.

Take out and open accessories box. Ensure all contents from the 'Parts List' section are accounted for.

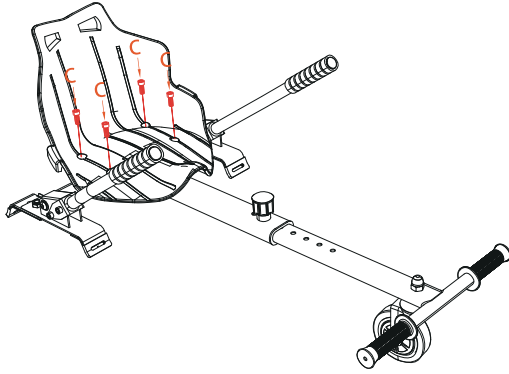
1. Mount the handles on the frame on both sides with the nuts A and bolts B



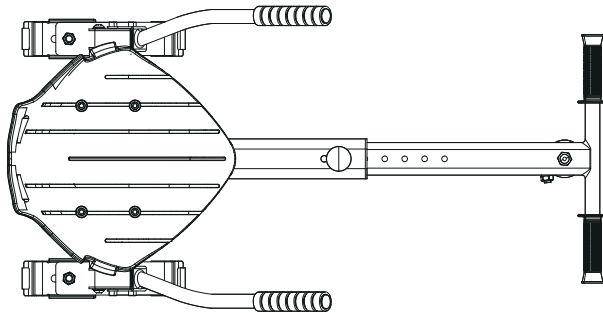
2. Now fasten the adjustment knob into the frame and feet frame



3. Mount the seat on the frame.



4. Your HB1 HOVERBOARD SEAT ATTACHMENT is now completely assembled and should look like the below image.

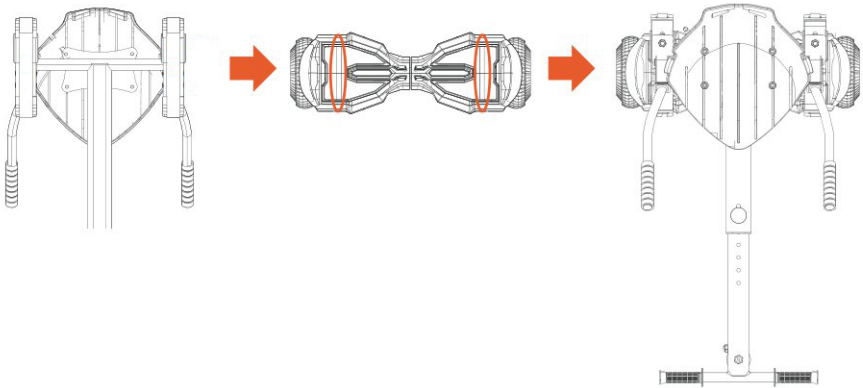


## INSTALLING YOUR ZIMX HB1 HOVERBOARD

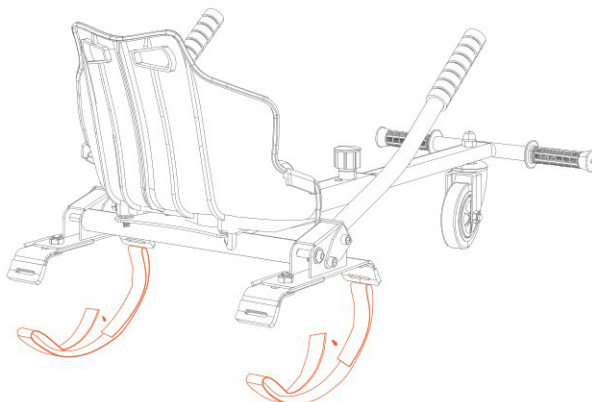
Carefully follow the steps shown on the following pages for assembling the Hoverboard with Seat.

Your Hoverboard Seat Attachment must be completely assembled before installing it onto your HB1 Hoverboard. Please refer to the 'ASSEMBLING YOUR HK4 HOVERKART SEAT ATTACHMENT' section for assembling procedures.

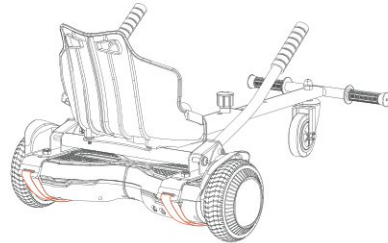
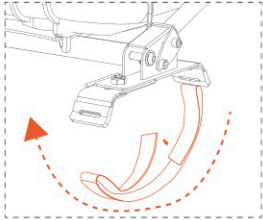
1. As shown in the figure below, place the pedal mounts onto the footpads of your hoverboard with the front wheel facing forward. Ensure the kart pedal mounts are placed on the footpads of your hoverboard as below.



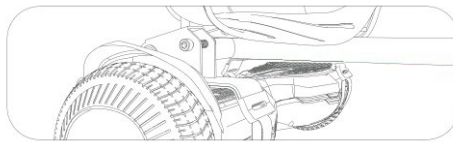
2. Secure your Hoverkart Seat Attachment to your hoverboard using adjustable velcro straps. With the velcro side facing away from your scooter, attach one hook of each adjustable strap to the back of each pedal mount.



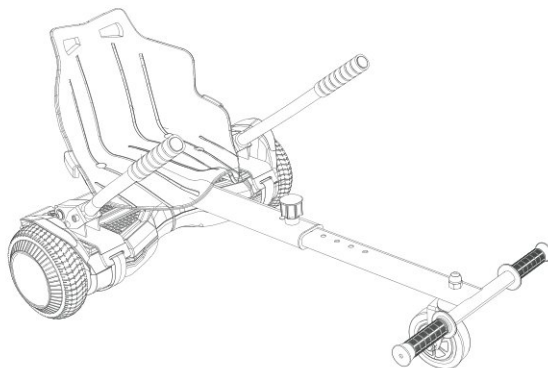
3. Wrap both adjustable straps under your hoverboard and attach the ends to the hooks on back of each pedal mount.



4. **WARNING:** Do not over tighten straps when you are assembling your seat attachment to your hoverboard. Ensure that the seat attachment is securely attached to the hoverboard. See below diagram for correct fitting.



5. Your Hoverboard Seat Attachment should be properly installed onto your ZIMX HB1 as shown below.



# BEFORE RIDING

Ensure that your ZIMX HB1 Hoverboard are in proper working order each and every time you ride. If a part of the Hoverboard does not function correctly, please contact our Customer Support Centre.

- Ensure the battery of your hoverboard is fully charged before riding it.
- Ensure that the screws / knut's and bolts on the hoverkart seat attachment are locked firmly before each ride.
- Check to ensure the tyres of your hoverboard are not worn.
- Check to ensure all connections are maintained on your hoverboard.

## **WARNING**

Any hoverboard that does not work properly can cause you to lose control and fall. Inspect the entire device thoroughly before every ride, and do not ride it until any problems have been corrected.

## **ZIMX HB1 HOVERBOARD OPERATION**

It is important that you fully understand all elements of your Hoverboard HB1. If these elements are not used correctly, you will not have full control of it. Before you ride fast, or outside of a controlled environment, learn the functions of the various mechanisms on your Hoverboard HB1.

Practice using the elements of your ZIMX HB1 Hoverboard at slower speeds in a flat, open area before taking it on private property.

# RIDING YOUR HB1 HOVERBOARD

Ensure your seat attachment is fully assembled and correctly installed onto your hoverboard with all straps and screws secured in place. Ensure your hoverboard is properly maintained as well. Failure to do so may result in serious bodily harm or death and damage to the unit. Follow the steps below to begin riding your HB1 Hoverboard.

1. Turn on your hoverboard.
2. Sit comfortably in the hoverboard seat attachment.
2. Place your feet onto the foot rests.
3. Firmly grip both handle bars and slowly push them downward simultaneously to move forward.
4. When riding, slowly pull both handle bars upwards simultaneously to brake.
5. To reverse, slowly pull both handle bars upwards simultaneously.
6. To turn right, push the right handle bar down while holding the left handle bar in neutral position.
7. To turn left, push the left handle bar down while holding the right handle bar in neutral position.

## CONTROLS AND DISPLAY

PLEASE READ THE FOLLOWING INSTRUCTIONS CAREFULLY

### TURNING YOUR DEVICE ON/OFF

**Power On:** Take your device out of the box and place it flat on a level surface. Press the power button once. Check the battery LED indicator. The battery indicator light should be lit, indicating the device is powered on.

**Power Off:** Press the power button once.

### FOOT MAT SENSORS

There are four sensors under the foot mats on your HB1 Hoverboard. When the user steps off the hoverboard mats, it will automatically stop the HB1 from moving.

When riding the hoverboard, you must ensure you are stepping on the foot mats. Do not step or stand on any other area of your hoverboard.

Do not put items on the foot mats. Doing so will make the HB1 turn on, and increase the probability of collision and cause injury to people, riders, or damage the device.

## **BATTERY INDICATOR**

The display board is located in the middle of the HB1 Hoverboard.

- Green LED light indicates the device is charged above 20 percent.
- Red LED light indicates the power is down to 10 percent or lower.

When the LED light turns red, please recharge the device.

## **STATUS INDICATOR**

When the operator triggers the foot mats, the LED Status Indicator will light up, which indicates that the HB1 Hoverboard is now ready for use. When the system has an error during operation, the status LED light will turn red (for more details see SAFETY ALERTS).

# **CHARGING YOUR HB1 HOVERBOARD**

Your HB1 Hoverboard comes with a built-in lithium ion battery pack. Be sure to charge the battery in a clean, dry location away from direct sunlight, flames or sparks.

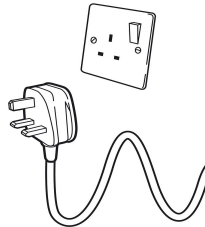
- Initial charge time: 4 hours.
- Recharge time: up to 3 hours.
- Please use only the original charger provided.
- Make sure that there is no dust, debris or dirt inside the port.
- Always charge the battery immediately after riding. Failure to recharge battery periodically may result in a battery that will not accept a charge.

- Bundled Run time: Up to 1-2 hours of continuous ride time. (Run time will vary depending on riding conditions, rider weight, climate, and/or proper maintenance.)
- The charger supplied with the HB1 should be regularly examined for damage to the cord, plug, enclosure and other parts. In the event of such damage, the Hoverboard must not be charged until it has been repaired or replaced.
- The charger and the battery have built-in overcharge protection to prevent the battery from being overcharged

Note: If the charger gets warm during regular use, this is a normal response and is no cause for concern.

## Charger

(Note: Charger design may vary from one shown)



### NOTE:

Wall outlet - Green (stand by)  
 Wall outlet and Hoverboard - Red (charging)  
 Wall outlet and Hoverboard - Green (charged)

1. Plug the charger plug into wall outlet. The light on the charger should be green.  
 Note: If green light (LED) does not turn on, try a different outlet.

2. Plug the charger into the charging port on the HB1 Hoverboard. The light on the charger should turn red during charging. The light will turn green again when charging is complete.

## Battery Power Level Indicators

- Solid Green: Battery power level is between 20 to 100 percent.
- Flashing Red: Battery power level is between 5 to 20 percent, recommend charging the hoverboard.



# CALIBRATE YOUR HOVERBOARD

Many problems that surfaces are due to misconfigurations on the gyro board. Most often they are off balance and in that state your hoverboard does not know if you're on a flat surface, going up/downhill or even if you are standing on it or not.

Here are some very common problems that can be fixed by recalibrating your hoverboard.

- The hoverboard is shaking when you mount it or go uphill. This happens more often if it's kids who are using the hoverboard, due to their low weight the gyros have a hard time keeping you in balance if they are not correctly configured.
- It might beep when you start it but won't let you take off.
- You have the hoverboard in perfect balance but it still wants to spin around.
- When you ride the hoverboard straight it draws to the left/right.

There are numerous more problems that can be helped with a re-calibration of your board and we highly recommend everyone that has a problem with their hoverboard to test calibrating it first, before you start looking at repair options like changing the dual altitude/gyro boards.

## **Step-by-step guide to calibrating your hoverboard in 10 seconds.**

- Make sure your hoverboard is standing on a flat surface and with both upper LED-indicators in level with each other.
- Press the power button and keep it depressed.
- Your hoverboards front LED-lights will flash fast 5 times before it starts blinking with a longer interval.
- Release the button and restart your hoverboard.

You're done calibrating the gyro boards and your hoverboard is now perfectly levelled. It now knows in what direction you're riding and what incline it's currently going in. The best thing about a calibration problem is that it's easy to complete and you can do it wherever you are and as many times as you like.

# SAFETY PRECAUTIONS

The first rule in safe riding is to use common sense. A hoverboard is vulnerable; it cannot protect you in a crash, against impact, or loss of control the way driving a car can. It does not have bumpers or airbags as a car does. This section is a guide of safe riding practices for on and off-road operation. Make sure you are using your HB1 Hoverboard properly.

Different localities and countries have different laws governing riding on public roads, and you should check with local officials to ensure you are complying with these laws.

ZIMX is not liable for tickets or violations given to riders who do not follow these regulations.

- For your safety, always wear a helmet that meets safety standards. In the event of an accident, a helmet can protect you from serious injury and in some cases, even death.
- Obey all local laws and regulations.
- Ride defensively; expect the unexpected.
- Do not ride too close to other people or riders and alert them if you intend to pass them from behind.

## **WARNING**

When you ride in low-visibility conditions such as fog, dusk, or night, you might be difficult to see, which could lead to a collision. In addition to keeping your headlight on, wear bright, reflective clothing when riding in poor lighting conditions.

Think about safety when you ride.  
You can prevent many accidents if you think about safety.

## PRODUCT SAFETY

When using any electrical appliance, basic safety precautions should always be followed including the following:



ROTATING PARTS



WARNING

- WARNING: NOT SUITABLE FOR CHILDREN UNDER 14 YEARS.
- IMPORTANT: THE BOARD IS NOT A TOY
- WARNING: Whenever you ride the board you risk injury from collisions, loss of control and falls. It is the user's responsibility to learn how to safely ride and control the board in order to reduce the risk. It is essential for the safety of the user that all instructions and safety information are read and understood before first use.
- WARNING: Wear protective personal equipment at all times when using the board. This includes an approved bicycle or skateboard helmet, knee pads, elbow pads and any other protective gear.
- WARNING: Do not wear heeled shoes, open toed shoes or sandals whilst using the board.
- WARNING: Not for use by children, pregnant women or elderly people.
- Not suitable for individuals with lack of balance.
- DO NOT operate whilst under the influence of drugs and/or alcohol.
- DO NOT operate whilst restless or sleepy.
- The Smart Balance Board is only to be used for personal entertainment use.
- DO NOT use as a skateboard. Do not ride the board off of ramps, pavements, or attempt to operate in a skate park, or use in any other way similar to a skateboard or scooter.
- DO NOT use as a racing instrument.
- CAUTION: Do not ride on motorways, roads or other environments stipulated by any local laws and regulations. Adhere to area by-laws for use on public highways.
- Abide by all local traffic laws.
- The board must be used on private property with owner's consent.
- Do not operate in crowded areas.
- Please use on flat, dry, hard surfaces
- WARNING: Surfaces such as rough or rugged terrain, snow, ice, wet and/ or slippery floors and any surfaces with obstacles such as twigs, gravel, stones or debris are NOT suitable for use.
- WARNING: Do not drive in or near puddles of water, pools or other bodies of water.
- WARNING: Do not drive in any extreme weather – snow, sleet, rain, hail, mist or extreme heat.
- WARNING: Do not ride your board over or near cracks, potholes or uneven pavement.
- Avoid driving in narrow spaces.
- Avoid driving on steep slopes.
- Avoid driving in unsafe places, including near to or around flammable gas, steam, liquid, dust, or fibre, which could cause fire and explosion accidents.
- Do not drive at night, in the dark or in badly lit areas.
- Do attempt to drive over bumps or objects greater than ½ an inch.
- If you do encounter any objects or debris blocking your path, safely step off the board and carry it over the obstacle.

**Only use the product in accordance with local regulations**

- Do not carry anything whilst riding the board.
  - Do not allow distractions when driving, such as answering the phone, listening to music, or engaging in any other activities.
  - WARNING: DO NOT attempt to operate the board with two or more people at once. The board is intended for use by a single individual.
  - Do not exceed the minimum or maximum weight limits.
  - CAUTION: The maximum weight limit is 100kg, including the user and any belongings (i.e. backpacks). Do not surpass the maximum weight limit. Exceeding the maximum weight limit may result in functional damage, or a failure to the device which can result in injury or serious bodily harm.
  - CAUTION: The minimum weight limit is 20kg. The board will not be able to operate correctly when user is below the 20kg limit. This may result in functional damage, or a failure to the device which can result in injury or serious bodily harm.
  - Please note that when using the board, your height has increased by 10 centimetres.
  - Ensure you drive within the safety speed range.
  - Take caution when passing through doors or similar.
  - If riding with other users on boards, please keep a certain distance between each other to avoid a collision.
  - Do not turn sharply, especially at high speeds. Ensure you are well balanced before executing any turns.
  - DO NOT step forward off of your board.
  - DO NOT jump on or off of your board.
  - ALWAYS step backwards off of your board.
- Step one foot down behind the board and then step off completely.
  - Ensure your feet are securely placed on the on the pads at all time. Do not stand on any other parts of the board.
  - Do not stand on the fenders.
  - CAUTION: Do not place any objects on the pads. This will trigger the pedal switch and the board will not be able to switch off. This increases the probability of collision, injury, or damage to the board.
  - CAUTION: Do not attempt to modify your board. Doing so will void your manufacture warranty and may cause a failure to your device which could lead to injury, serious bodily harm or death.
  - CAUTION: Do not immerse any part of the board in water or any other liquid.
  - WARNING: Do not insert the plug if the Charge Port is wet.
  - It is essential for your safety and for optimum performance of the product that you fully read and follow all instructions before use.
  - In the interests of the user's safety, by purchasing this product you confirm that you have read and understood this advice.
  - In the unlikely event the appliance develops a fault, stop using it immediately and seek advice from the service department.

**+44 121 454 7589**  
**info@zimx.uk**

- This product is to be used a recreational product, it is not intended to be used as means of transport.
- Do no use on roads and pavements or in public places.
- Only use on private land with permission of the land owner.
- This product can only be used by one person at a time. DO NOT carry another passenger at any time.
- Do not attach or use any additional items or accessories not approved for use by ZIMX
- Maximum weight supported by the product is 100kg
- Minimum height for the rider should be 4ft (121cm) and with a minimum weight of 20kg
- Minimum recommended age of user for this product is 14 years
- This product has a self balancing system designed to keep you balance when using it
- Each of the both motors / wheels that are fitted to this product have a Max Power output of 150W. Total 300W of power is used in this product.
- Please use this product on a dry, clean and level surface. Please keep at least 6ft distance of similar product users when being used at the same time.
- Please use protective equipment such as helmet, hand/knee and elbow to prevent any serious injuries during use.
- You must wear appropriate footwear to use this product, such as trainers or shoes with rubber soles. DO NOT use without footwear being worn.
- We recommend to use the product in well lit areas and not in dark places.
- This clean the product only with damp cloth if it gets dirty after use outside.
- Do not touch any of the wheels during use and while in motion, keep fingers away from wheel arches also.
- WARNING! As with any mechanical component, this product is subject to high stresses and wear. The various materials and components may react differently to wear and fatigue. If the expected service life for a component has been exceeded, it may break suddenly, therefore risking causing injuries to the user. Cracks, scratches and discolouration in the area subject to high stress indicate that the component has exceeded its service life and should be replaced
- Traffic in the city has many obstacles to cross such as curbs or steps. It is recommended to avoid obstacle jumps. It is important to anticipate and adapt your trajectory and speed to those of a pedestrian before crossing these obstacles. It is also recommended to get out of the product when these obstacles become dangerous du to the shape, height or slippage.
- Take the time to learn the basics of the product to avoid any serious accident that can take place in the first few months.
- Get closer to your seller so he can refer you to an appropriate training organisation.
- Avoid high traffic areas or overcrowded areas.
- In any case, anticipate your trajectory and your speed while respecting the code of the road, the code of the sidewalk and the most vulnerable.
- Notify your presence when approaching a pedestrian or cyclist when you are not seen or heard.
- Cross the protected passages while walking.
- In all cases, take care of yourself and others.
- Do not use this product other than its intended use.
- This product is not intended for acrobatic use.
- Caution, the wheels of the product may become hot in use, Do not touch after use.

- Eliminate and sharp edges cause by use.
- Do not modify or transform this product in any way.
- Do not attempt to modify or service this product in any way. Please contact our customer service team to explain your issue, so that we may assist you in keeping the product fully operational as its intended use. As we keep stock of all parts and components to fix any issue that may be required.

#### NOISE EMISSION

- The A-weighted sound pressure levels of the product when turning it on, to activate the Bluetooth speaker availability mode is 78 dB. This A-weighted sound pressure levels are according to EN ISO 3744 : 2010 standard.
- The A-weighted sound power level emitted by the product when being used is 63 dB.

# SAFETY ALERTS

While riding your HB1 Hoverboard, if there is a system error or improper operation performed, the device will prompt the user in a variety of ways.

You will notice the Running Indicator Light will turn RED and you will hear a beep sound alerting you to take precaution and cease operation, which may make the hoverboard stop suddenly.

The following are common occurrences where you will hear the Safety Alerts. These notices should not be ignored, but appropriate action should be taken to correct any illegal operation, failure or errors.

- Unsafe riding surfaces (uneven, too steep, unsafe, etc.)
- When you step on the device, if the platform is tilted more than 10 degrees forward or backward.
- Battery voltage is too low.
- The device is still charging.
- During operation, the platform self initiates to tilt due to excess speed.
- Overheating, or motor temperature is too high.
- The device has been rocking back and forth over 30 seconds.
- If the system enters protection mode, the alarm indicator will light up and the board will vibrate. This typically occurs when the battery is about to run out of power.
- If the platform is tilted forward or backward more than 15 degrees, device will power off and stop suddenly, possibly causing the rider to lose balance or fall off.
- If any or both tyres are blocked, the device will stop after 2 seconds.
- When the battery level has depleted below protection mode, the device engine will power off and stop after 15 seconds.
- While sustaining a high discharge current during use (such as driving up a steep slope for a long period of time), the device engine will power off after 15 seconds.



## WARNING

When the HB1 turns off during a Safety Alert, all operation systems will halt. Do not continue attempting to ride the HB1 when the system initiates a stop. Turn your hoverboard off and back on to unlock it from a Safety Lock.

# SAFETY CHECKLIST

- Do not ride above your skill level. Ensure you have had enough practice with all functions and features of your HB1 Hoverboard.
- Do not ride too fast -- with increased speed comes increased risk. If you are moving at a higher speed, small bumps can turn into large impacts, leading to a higher risk of injury if an accident occurs.
- Before stepping on your hoverboard, make sure it is placed flat on level ground, the power is on, and the Running Indicator light is green. Do not step on if the Running Indicator is red.
- Do not operate the device in crowded areas. If you and your friend(s) are riding HB1 Hoverboard together, be sure to keep a safe distance between each other to prevent collisions, property damage, serious injuries or even death.
- Do not operate the device while under the influence of drugs and/or alcohol.
- Do not continuously spin in place, it will cause dizziness and increases risk of injury.
- Do not ride in or near puddles of water, mud, sand, stones, gravel, debris or near rough and rugged terrain.
- Do not ride in inclement weather: snow, rain, hail, sleet, on icy roads or in extreme heat.
- Bend your knees when riding on bumpy or uneven pavement to absorb the shock and vibration and help you keep your balance.
- If you are unsure if you can safely ride on a specific terrain, step off and carry your device. **ALWAYS BE ON THE SIDE OF CAUTION.**
- Do not ride your device near motor vehicles or on public roads.
- Individuals with lack of balance should not attempt to operate the device.
- Young children and the elderly should not operate the device without proper instruction and supervision.
- At higher speeds, always take into consideration longer stopping distances.
- Do not turn sharply, especially at high speeds.
- Do not exceed the maximum or minimum weight limits.
- This shall not be operated to perform racing, stunt riding, or other manoeuvres, which may cause loss of control, or may cause uncontrolled operator/passenger actions or reactions.



# WARRANTY

This product comes with a 30 day limited replacement warranty for manufacturer's defects. This includes defects to the motor, gyroscopic sensor battery, etc.

## **The following conditions comprise the requirements and scope of our warranty conditions:**

- 1) The warranty does not cover over-charging, or damages due to improperly maintaining lithium-ion battery installed in unit. The warranty does not cover tyres and other parts, which are considered consumables, parts that break easily such as glass or plastic or defects based on normal wear and tear.
- 2) The warranty will be performed in such a way that we shall decide whether to repair the defective parts or to replace them with working parts free of charge. ZIMX reserves the right to exchange the product for a replacement product of equal value if the product sent in cannot be repaired within a reasonable time or at a reasonable cost.
- 3) The warranty claim does not apply if repairs or other work is carried out by unauthorized persons or if our products are equipped with additional parts or accessories that are not approved for our product.
- 4) Warranties that have been activated do not cause the warranty period to be extended, nor do they trigger a new warranty period. The warranty period for any replacement parts installed ends with the warranty period for the entire product.
- 5) Any other further claims are excluded, especially those for replacement due to damage caused to the outside of the product, provided there is no obligatory legal liability.

**ZIMX can refuse any service claim made that is not covered by the warranty. Please contact [info@zimx.uk](mailto:info@zimx.uk) for pricing and availability of repairs, outside of warranty.**

**Further warranty information can be found at [www.zimx.uk](http://www.zimx.uk)**

Imported by  
 New Age Group  
 UKBIGBUY.COM  
 ZIMX.UK  
 B16 OHG, UK  
 Tel : +44 (0)121 454 7589  
 Email : info@ukbigbuy.com  
 Email : info@zimx.uk

Further Specifications & Info



To reduce the risk of injury, the user must read the User Manual in detail, before using this product.

For re-charging the battery of the product, use only the accompanied UL certified charger provided.



- Only use the product in accordance with local regulations
- Protective helmet is strongly recommended
- **WARNING!!** Never use the product close to a water source
- **WARNING!!** Stop using this product when damaged
- **WARNING!!** Never use this product out of spaces authorised by local regulations
- The product is recommended for 14+ ages, the maximum weight of the user MAX 100kg
- Improper use can lead to falls or serious injuries. Be sure to read the instruction manual first.
- When you are about to over-speed close to the limit, the product will make a beeping alarm sound.
- When you cross over speed bumps, elevation thresholds, pot-holes, etc, do not pass over at very low speed or very high speed, as it will cause the tire to slip or get stuck.
- Riding while carrying passengers may cause the product to imbalance. You may have an accident.
- Pregnant women are prohibited from riding which may cause serious injury or death.
- Please do not use in rain to avoid any dangerous situation caused by slippery terrain surfaces.



STANDARD - EN 17128 (CLASS 3)

Model: HB1  
 Product Designation: Class 3 PLEV  
 Doc Ref: EN 17128 : 2020  
 Output Voltage: DC 36V  $\approx$  1.5A (max)  
 Charging Voltage: DC 42V  $\approx$  0.4A  
 Battery Capacity: 2.0Ah  
 Battery Type: Rechargeable Lithium-ion Cells  
 Battery Power: 72Wh  
 Weight: 6.55kg



PERSONAL e-MOBILITY  
 ELECTRICAL SYSTEM  
 E485469  
 UL-2272 CERTIFIED  
 HIGHEST SAFETY CERTIFICATION



Made in China



Assembled in China

MANUFACTURER:  
 Yongkang Chic Intelligent Technology Co. Ltd  
 No.228.Chengxin Rd,  
 Hardware Science & Technology Industrial Garden  
 Yongkang City, Zhejiang Province. China

Only use the product in accordance with local regulations

**WARNING!!**

It is currently illegal to ride electric scooters or self balancing scooters or hoverboards on public roads, pavements or cycle paths.

They are intended only for use on private land with the owners permission.



# ZIMX

H O V E R B O A R D S  
W I T H A T T I T U D E



## UKBIGBUY.com

*Saving you money every day*



[www.ukbigbuy.com](http://www.ukbigbuy.com)  
[www.zimx.uk](http://www.zimx.uk)



@ukbigbuy



@ukbigbuy



@ukbigbuy